

# PROVOX<sup>®</sup> Vega<sup>™</sup> Puncture Set

  Provox Vega Puncture Set



**MD**

**Rx  
ONLY**



**CE** 0413

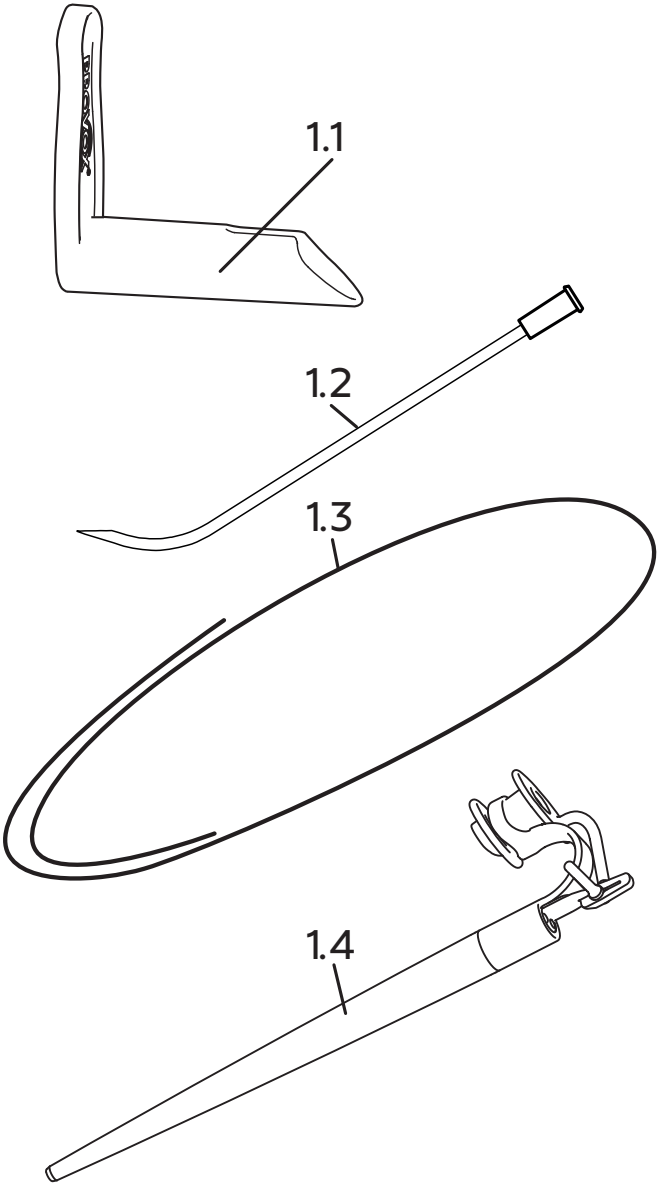


**STERILE** **EO**

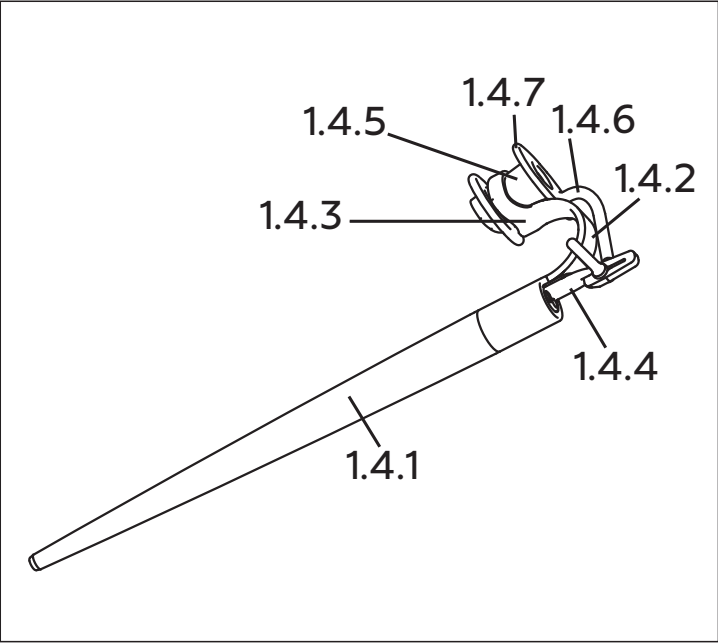


42°C  
108°F  
RT  
2°C  
35°F

# 1. Provox Vega Puncture Set

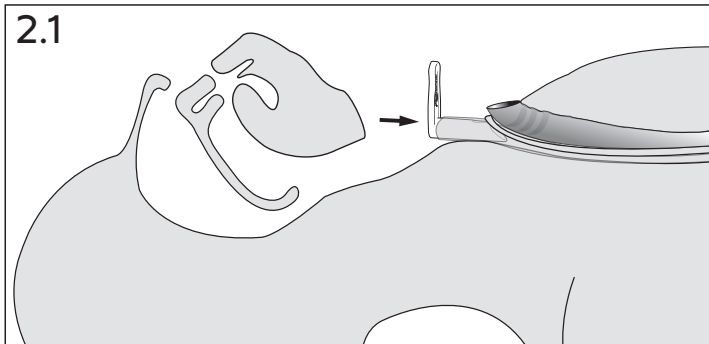


# 1. Provox Vega Puncture Set

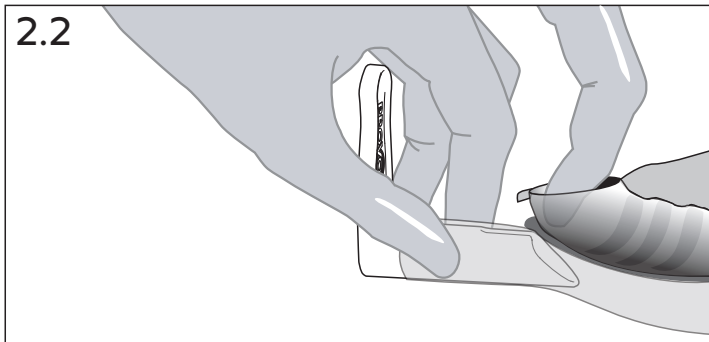


## 2. Primary Puncture and Prosthesis placement

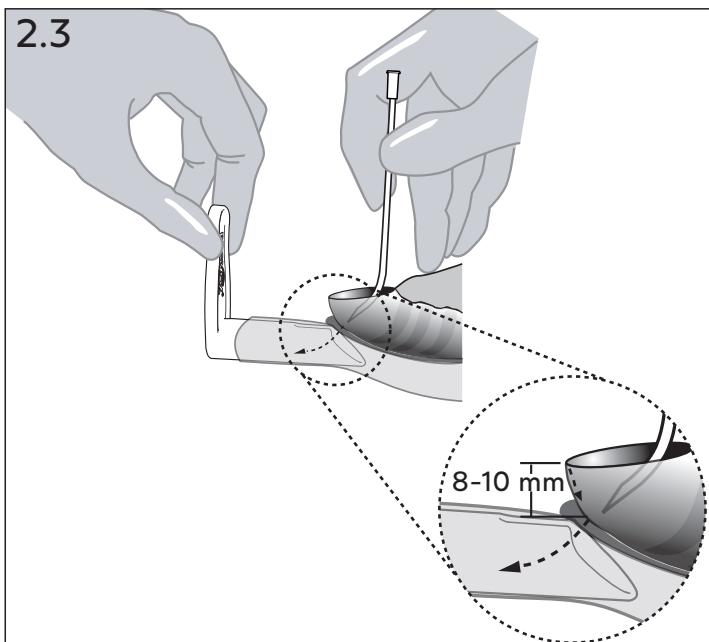
2.1



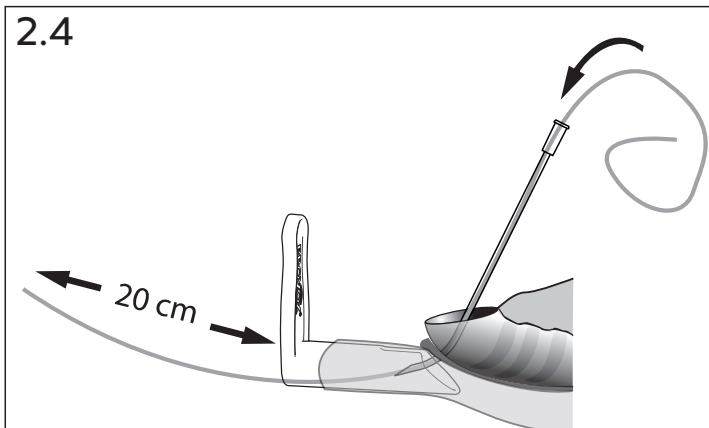
2.2



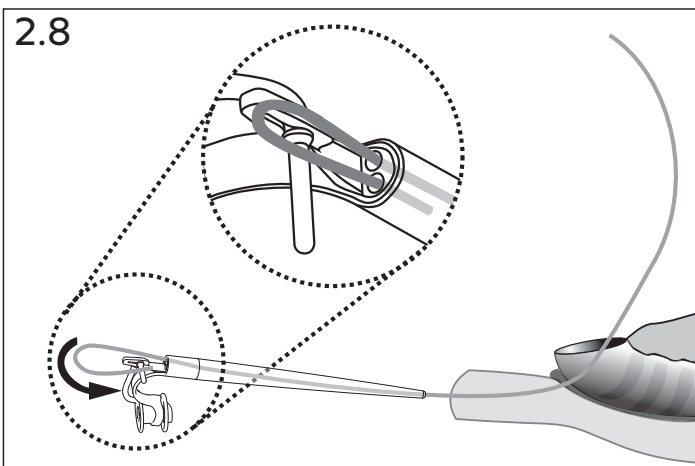
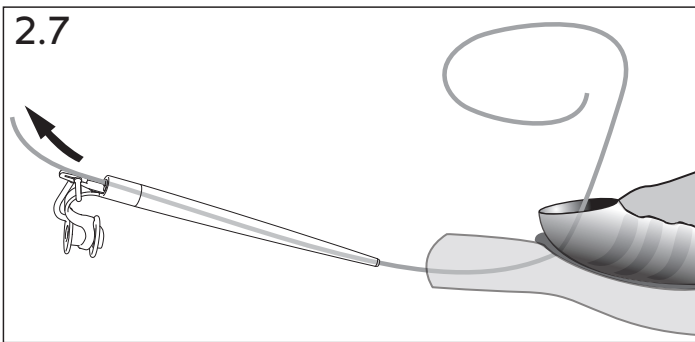
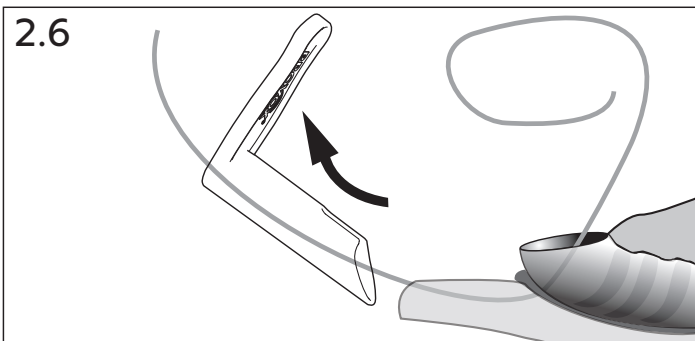
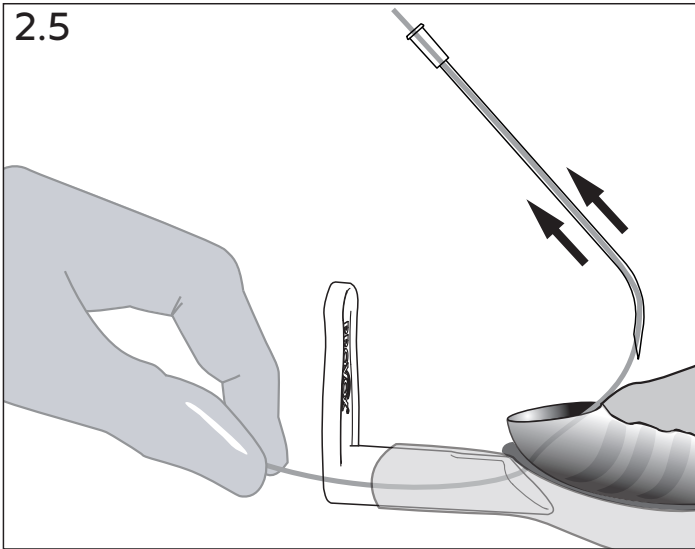
2.3



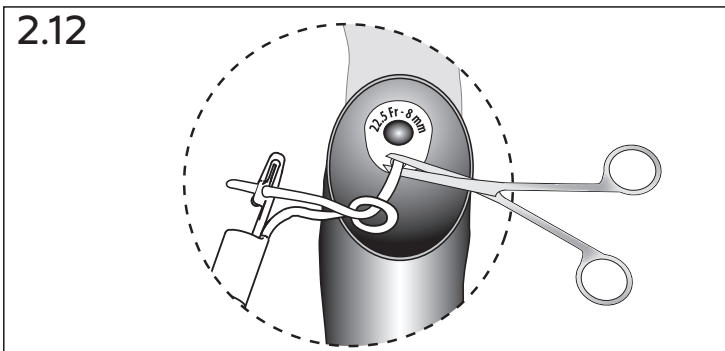
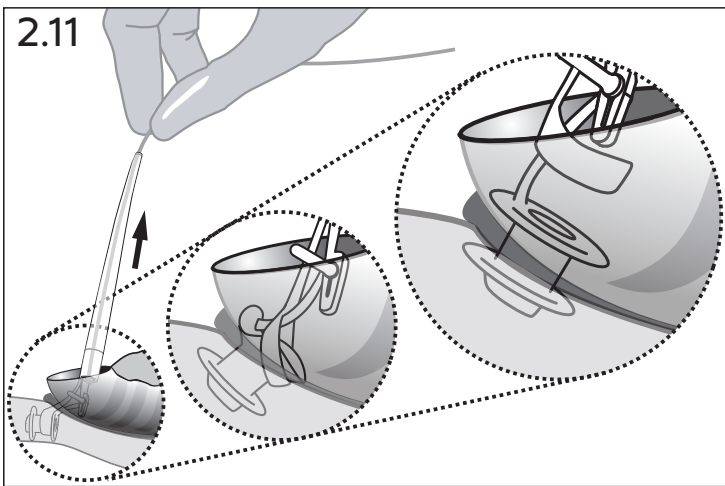
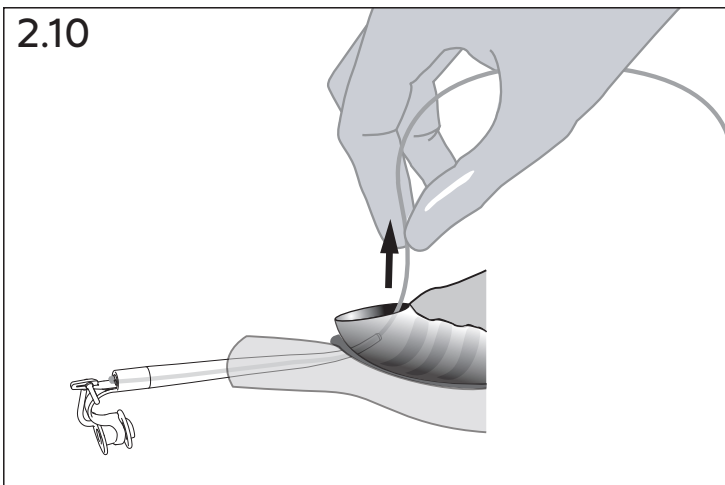
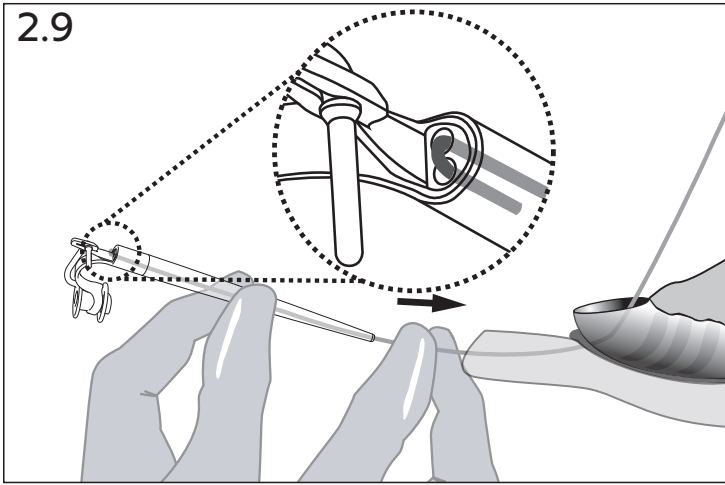
2.4



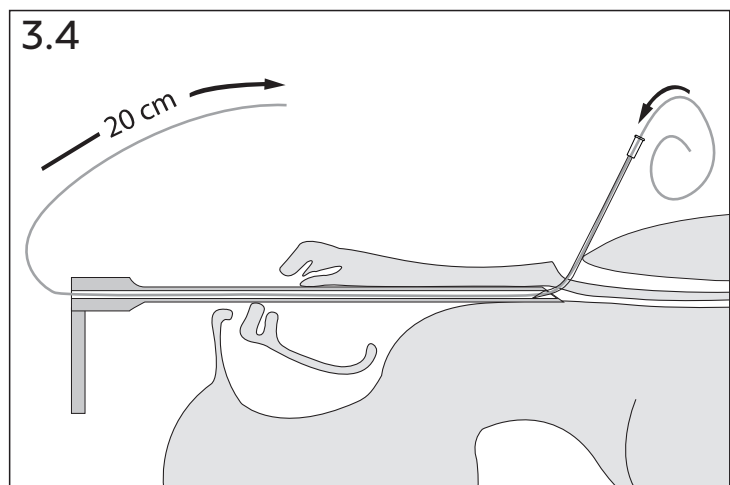
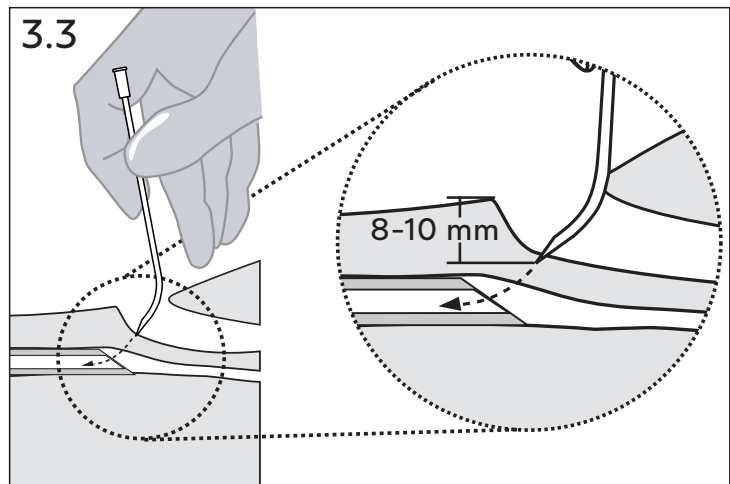
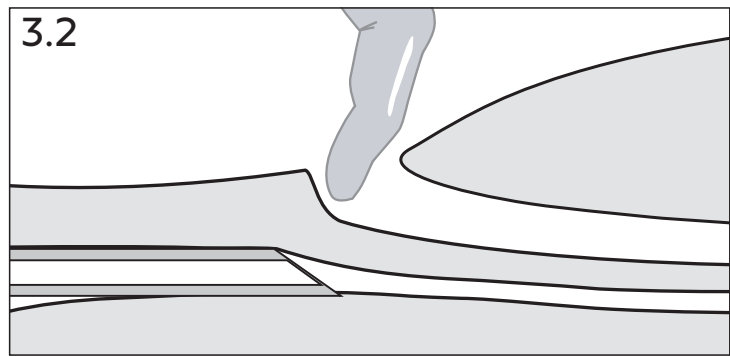
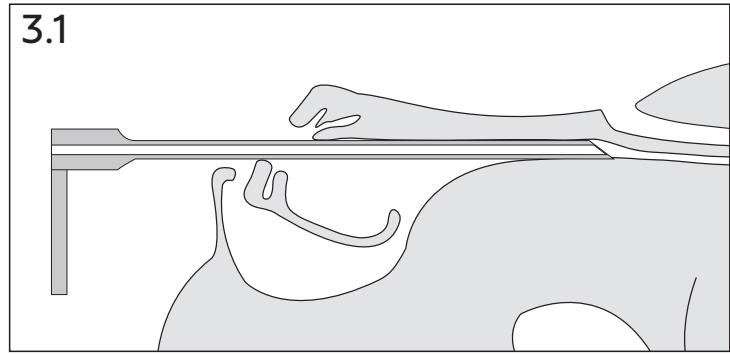
## 2. Primary Puncture and Prosthesis placement



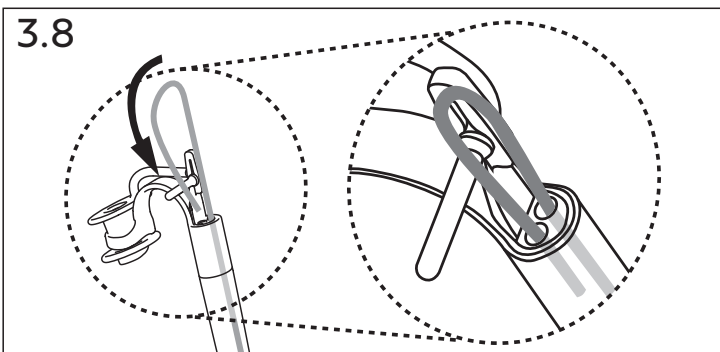
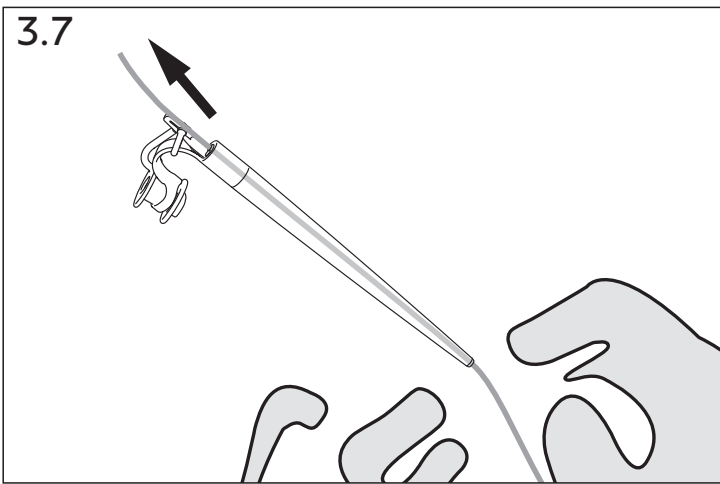
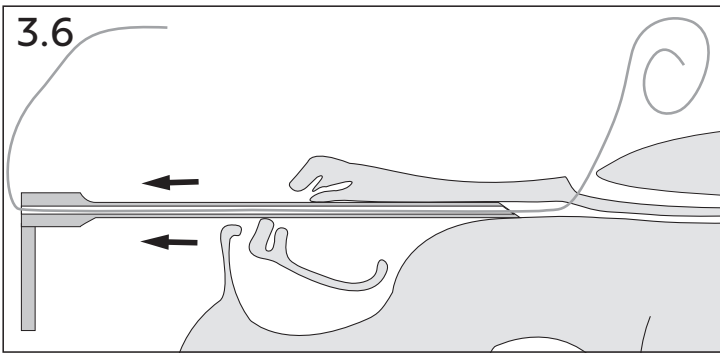
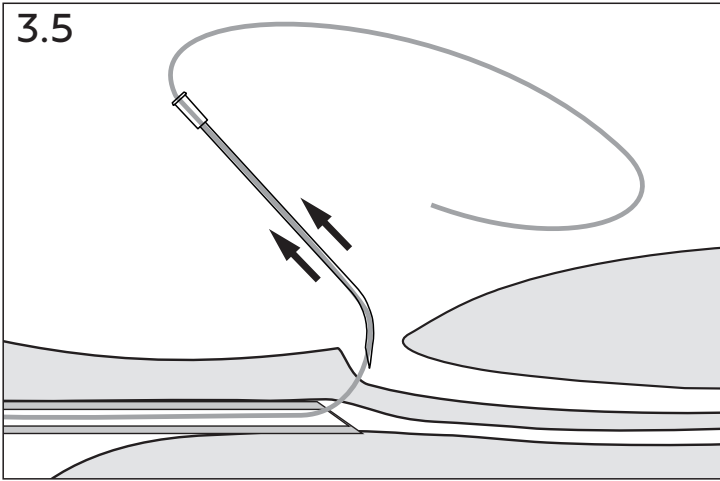
## 2. Primary Puncture and Prosthesis placement



### 3. Secondary Puncture and Prosthesis placement

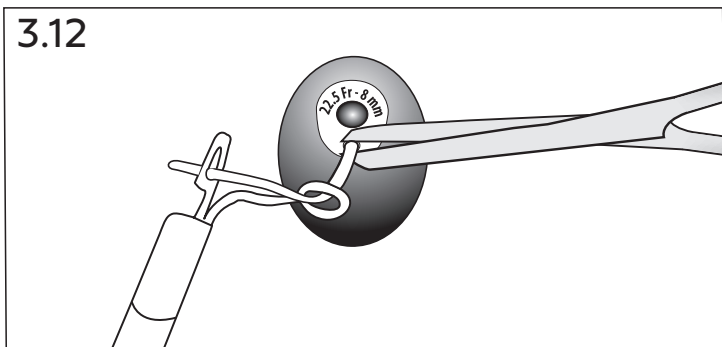
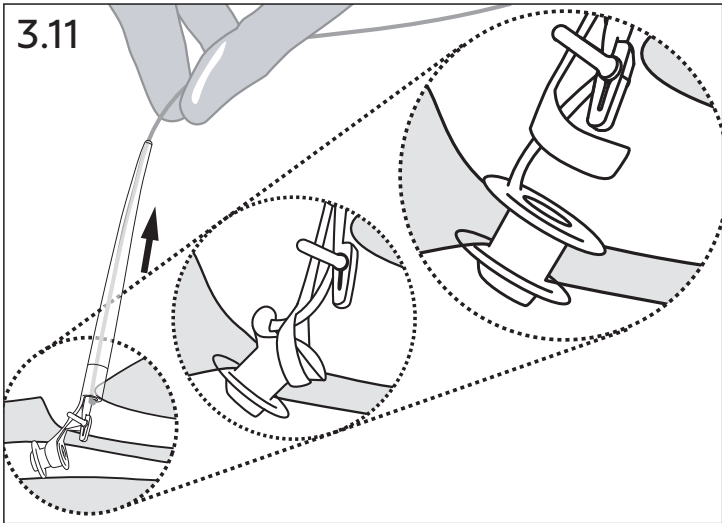
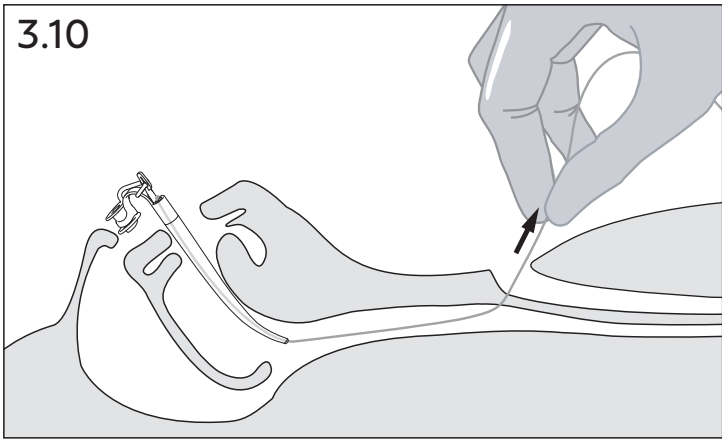
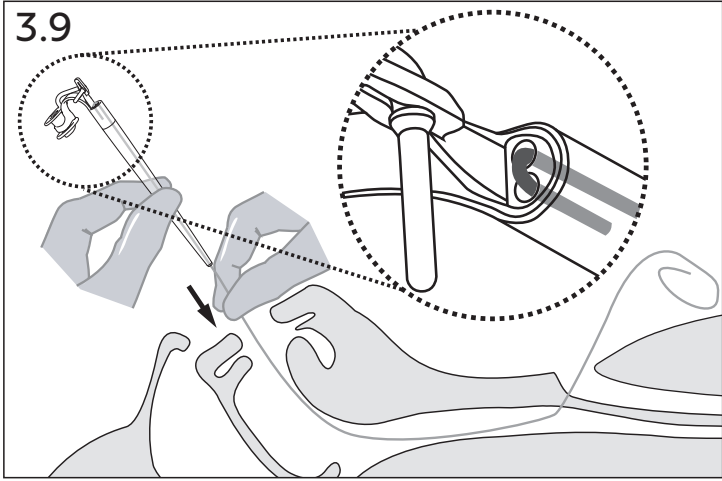


### 3. Secondary Puncture and Prosthesis placement

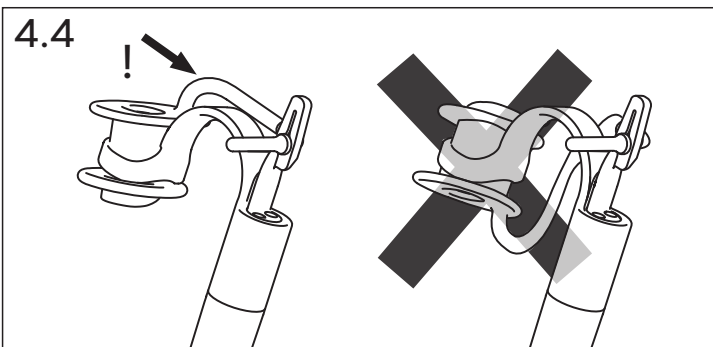
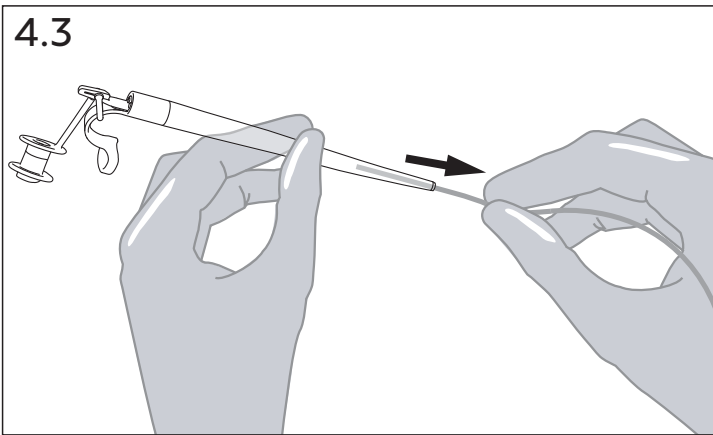
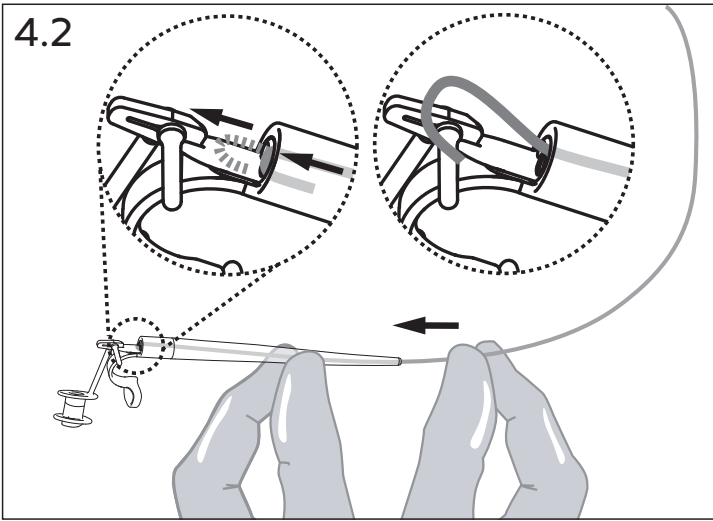
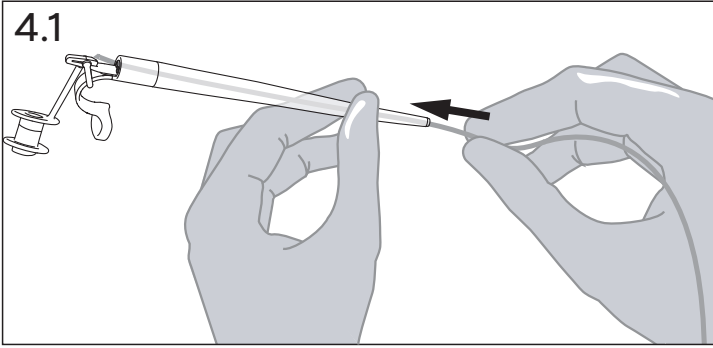




### 3. Secondary Puncture and Prosthesis placement



## 4. Reload of the Puncture Set







10647, 2023-01-19

**Atos**  
atosmedical.com



Atos Medical AB  
Kraftgatan 8, SE-242 35 Hörby, Sweden  
Tel: +46 (0)415 198 00 • [info@atosmedical.com](mailto:info@atosmedical.com)

© Coloplast A/S. All rights reserved.  
Atos and the Atos Medical logo are trademarks of Coloplast A/S